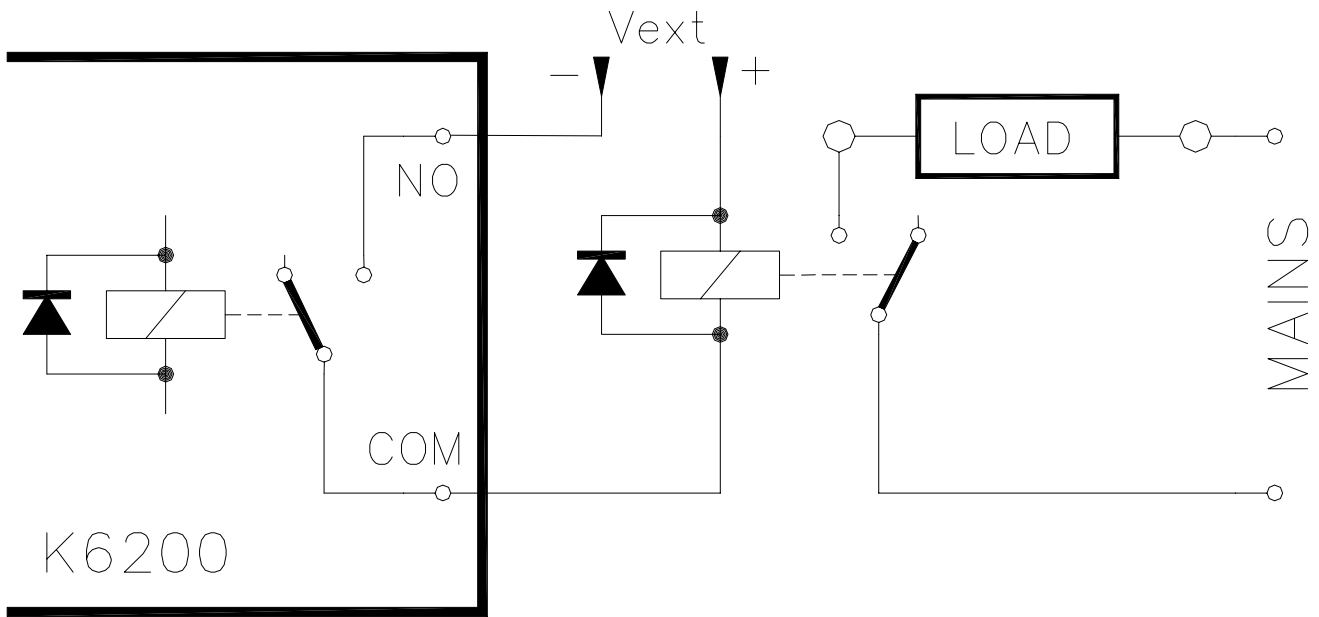


Connection diagram of the 0 to 60 hour start/stop timer with additional DC-relay

K6200



WITH ADDITIONAL DC-RELAY