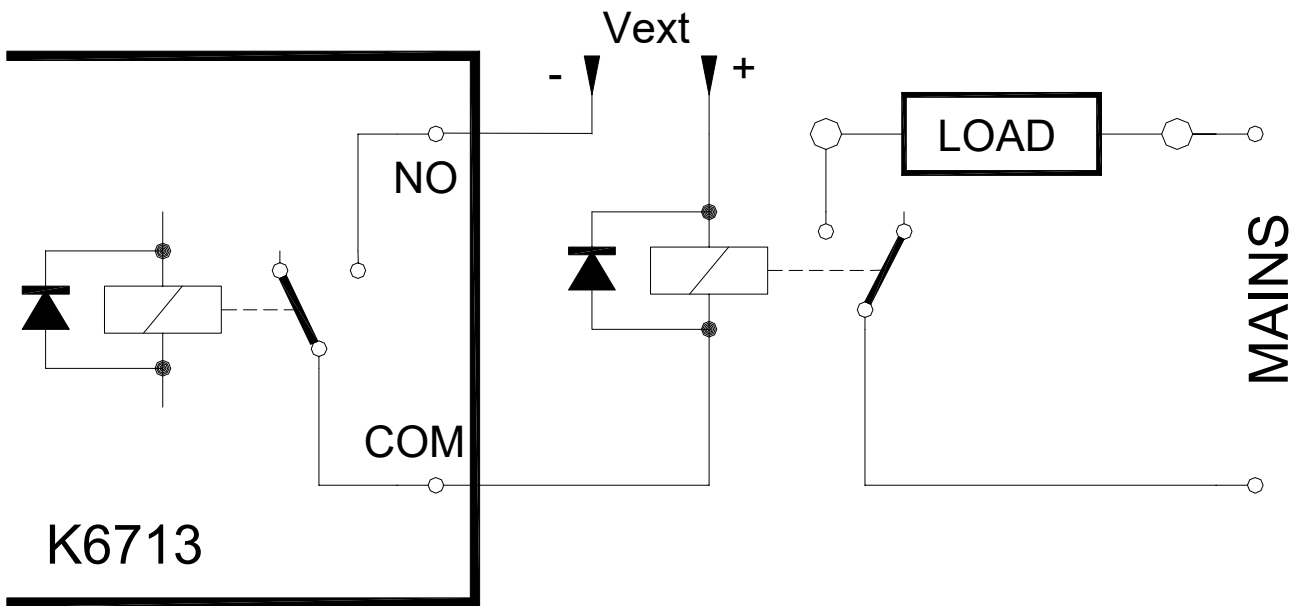


# Connection diagram of the one channel infrared receiver with suppression of additional DC-relay

K6713



WITH ADDITIONAL DC-RELAY