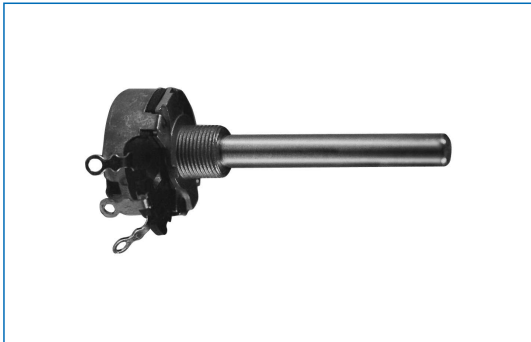


## Series AW

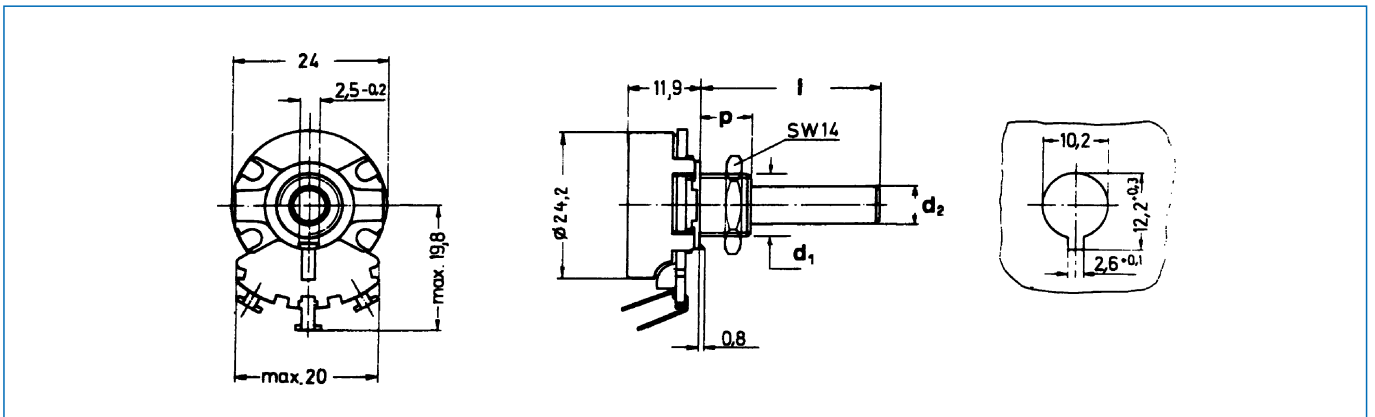
Ordering code no.: 31 046 .....

### Type AW

Basic design: encased, nominal width 24 mm, solder tag terminals



**Standard version with nut**  
**Special accessories: washer**



### Technical data

Rated resistance range:	5 Ω - 25 kΩ
Resistance tolerance:	± 10 % (< 10 Ω ± 20 %) on request ± 5 %, ± 2 %
Law (resistance taper):	lin
Independent linearity:	± 2 %
Rated dissipation:	4 W / 40 °C
Limiting element voltage:	500 V
Isolation voltage:	1 kV ~
Temperature range:	- 40 °C to + 90 °C
Temperature coefficient:	see table
Electrical travel:	280° ± 5°
Mechanical travel:	300° ± 10°
Operating torque:	0,7 - 3,6 Ncm
End stop torque:	115 Ncm
Durability:	10 000 cycles

### Spindles:

Metal, plastic moulded on request (see table)

l (mm)	p (mm)	d <sub>2</sub> (mm)	d <sub>1</sub>
standard 50	8 or 12	6	M10 x 0,75

### Temperature coefficient and resolution

RN	10Ω	25Ω	50Ω	100Ω	250Ω	500Ω	1 kΩ	2,5 kΩ	5 kΩ	10 kΩ	25 kΩ
TC-value ppm / °C	+ 400	+ 400	+ 40 - 80	+ 40 - 80	+ 40 - 80	+ 140	± 20	± 20	± 20	± 20	± 20
Resolution %	0,75	0,75	0,7	0,5	0,35	0,35	0,3	0,3	0,2	0,15	0,13