

Display Drivers

U 2066 B · U 2067 B · Low cost stereo LED scale controller for radio, amplifier or cassette recorder

Supply voltage range	Pin 16	V_S	7... 18	V
Total supply current	Pin 16	I_S	35	mA
LED current source		I_o	15	mA

Features:

- Wide supply voltage range
- Constant LED current
- Low power dissipation due to series connection of LEDs
- Different colour LEDs can be mixed easily
- One operational amplifier per channel
- Logarithmic scale division
- Threshold intervals:
5 dB - 5 dB - 3 dB - 3 dB (U 2066 B)
2 dB - 2 dB - 2 dB - 2 dB (U 2067 B)

Case:

DIP 16
Dimensions see page 63
Number 105

LEDs: e.g. TLS. 5100

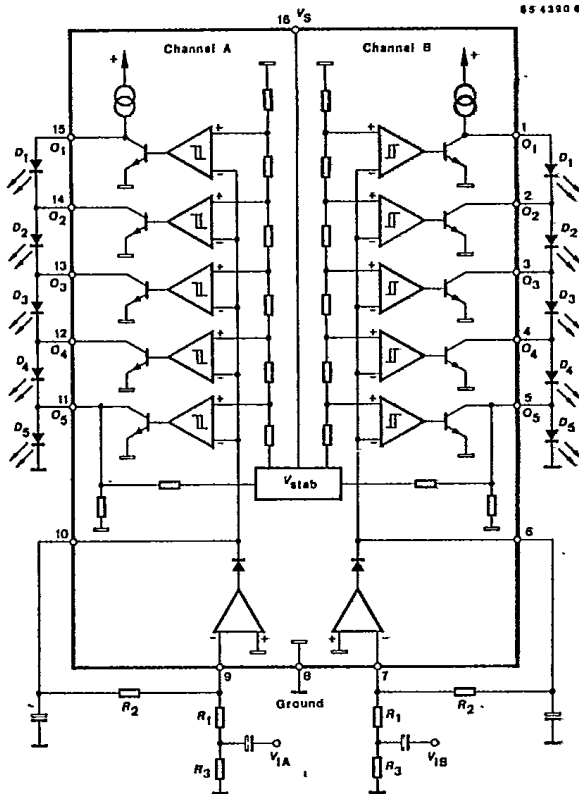
Channel B

- 1 LED-Output O_1
- 2 LED-Output O_2
- 3 LED-Output O_3
- 4 LED-Output O_4
- 5 LED-Output O_5
- 6 Rectifier output
- 7 OP AMP "negative"-Input
- 8 Ground (GND)

Channel A

- 9 OP AMP "negative"-Input
- 10 Rectifier output
- 11 LED-Output O_5
- 12 LED-Output O_4
- 13 LED-Output O_3
- 14 LED-Output O_2
- 15 LED-Output O_1
- 16 Supply voltage V_S

Block diagram and pin connections



U 2068 B · Stereo volume indicator for 2 x 5 LEDs and two headphone amplifiers for radio and cassette recorder

Supply voltage range	Pin 20	V_S	7... 18	V
Total supply current	Pin 20	I_S	40	mA
LED current source		I_o	15	mA

Features:

- Large supply voltage range
- Constant LED current
- Low power dissipation due to series connection of LEDs
- Different colour LEDs can be mixed easily
- One independent connectable operational amplifier per channel
- Logarithmic scale division with intervals:
6 dB - 6 dB - 3 dB - 3 dB

Case:

DIP 20
Dimensions see page 63
Fig. 107

LEDs: e.g. TLS. 5100

Channel B

- 1 LED-Output O_1
- 2 LED-Output O_2
- 3 LED-Output O_3
- 4 LED-Output O_4
- 5 LED-Output O_5
- 6 Comparator input V_i
- 7 OP AMP-Output OUT
- 8 OP AMP "negative"-Input
- 9 OP AMP "positive"-Input
- 10 Ground (GND)

Channel A

- 11 OP AMP "positive"-Input
- 12 OP AMP "negative"-Input
- 13 OP AMP-Output OUT
- 14 Comparator input V_i
- 15 LED-Output O_5
- 16 LED-Output O_4
- 17 LED-Output O_3
- 18 LED-Output O_2
- 19 LED-Output O_1
- 20 Supply voltage V_S

Block diagram and pin connections

